

ORBICX Scrubber cum sweeper RS1450

Automatic ride on floor scrubber cum sweeper



Scrubber cum Sweeper | 13050m²/h
High Cleaning Efficiency

Internal structure of the machine



• battery



• drive motor



• brake



• controller



• side brush motor



• suction motor



Storage



Sweeping brush



Water tank inlet



Water gun



Console



Suction rake



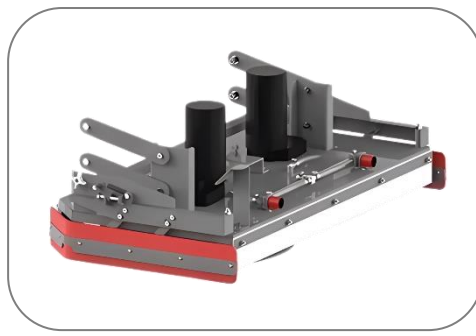
Water tank bracket



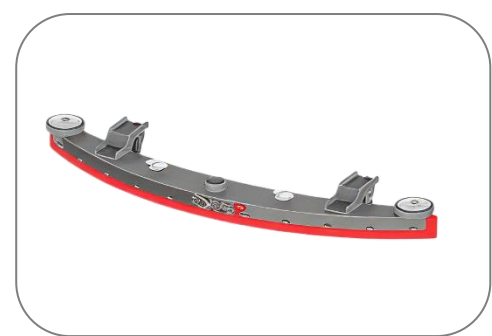
Drawer type garbage bin



Cleaning Structure – All in one standard clearing structure strengthen cleaning capacity and working efficiency



Dual Super Big Brush – Super big brush design enlarges to touching surface and improved working efficiency



The powerful vacuum motors and adjustable parabolic squeegee ensure maximum water and dirt pickup, guaranteeing a clean, dry floor that is ready for traffic.

Description	Values
Scrubbing Width	1450mm
Squeegee Width	1350mm
Side brush Diameter	500mm*2
Main Brush Size	790*300mm
Disc Brush Size	380mm*3
Working Efficiency	13050m ² /h
Forward Speed	0-9km/h
Solution Tank	280L
Recovery Tank	330L
Dustbin capacity	60 L
Running Time	3-4H
Vacuuming Filter	4.2m ²
Battery Type	Lead-Acid Free Maintenance /Lithium
Battery Capacity	72V/250Ah
Main Brush Motor	950w
Side Brush Motor	90w*2
Dust Vibrating Motor	120w
Brush Motor	600w*3
Vacuum Motor	600w*2
Drive Motor	2800w
Side Brush Rising Up/Down Motor	20w
Brush Plate Rising Up/Down Motor	55w
Squeegee Rising Up/Down Motor	35w
Fan Motor	95w
Cleaning Pump	120w
Vehicle Weight	1320KG
Measurement	2800*1460*1590mm
Packaging Size	2780*1540*1696mm
Minimum Turning Radius	580mm

Our Product Range –Road Sweeper, Scrubber Driers, Vacuum Cleaner, Single Disc Scrubber, High Pressure Water Jet Cleaner, City Sweeper, Bins, Mop & trolley, Janitorial Product.