



Advanced Cleaning Solution

ORBICX Scrubber B380

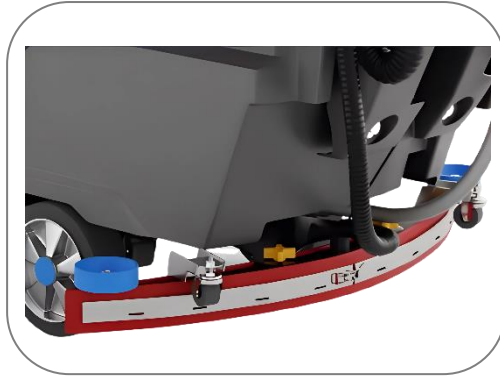
Automatic walk behind floor scrubber drier



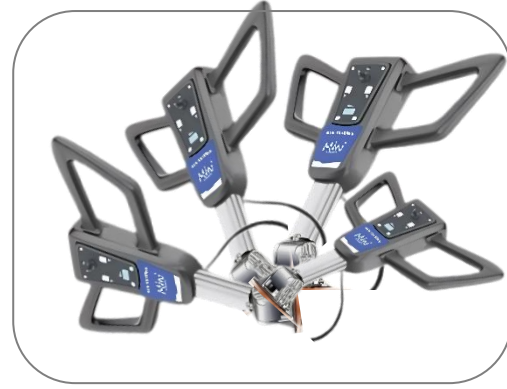
Scrubber Dryer High Cleaning Efficiency Save Time Effort and Money



The impact resistant aluminum brush head is equipped with splashguard protection, eliminating side splash and enclosing solution inside the brush for a more precise clean. Easy maintenance with hands-free brush replacement.



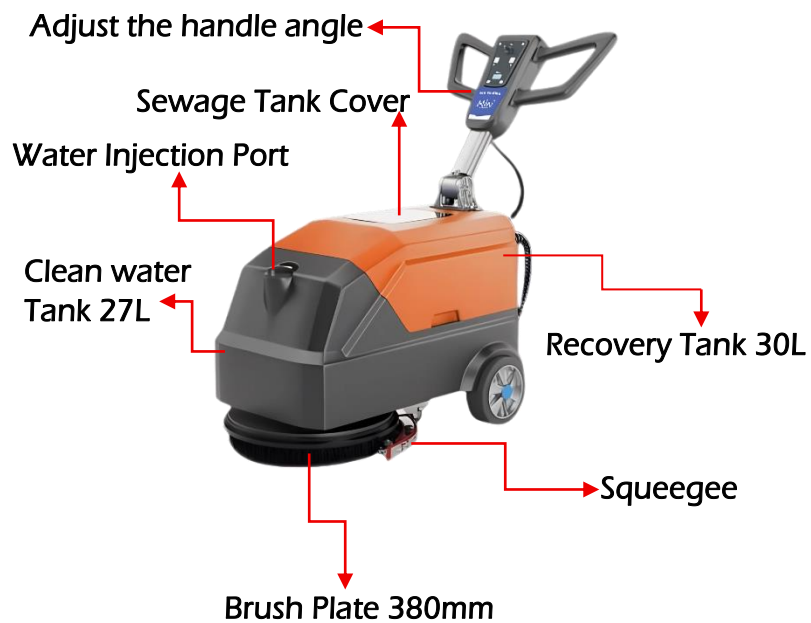
The impact resistant steel squeegee distributes down pressure along the length of the blades, delivering consistent cleaning results even around 180° turns. Designed with pre-scrub capability.



Adjustable Handle – Can be used on 90-Degree walls, Compact size, requires little space for storage

Description	Values
Cleaning efficiency	1330m ² /h
Suction width	580mm
Scrubbing width	380mm
Brush motor	550W
Vacuum motor	500W
Fresh water tank	27L
Dirty water tank	30L
Life Po Battery voltage	24v / 50Ah
Working speed, up to	4 km/h
Charging Time	4 – 5 Hrs.
Net Wight	80 Kg

Easy to Operate, one clicks to open



Our Product Range –Road Sweeper, Scrubber Driers, Vacuum Cleaner, Single Disc Scrubber, High Pressure Water Jet Cleaner, City Sweeper, Bins, Mop & trolley, Janitorial Product.